

PROEMPAQUE DEL NORTE

GRAPAS DE ALAMBRE DELGADO

908	911
308-C 6.35mm 1/4"	3012-C 9.53mm 3/8"
SERIE 30	
CORONA: 0.491" (12.47mm)	
CALIBRE: 23 1/2	

920	921	922	785
346-C 4.76mm 3/16"	348-C 6.35mm 1/4"	3412-C 9.53mm 3/8"	3416-C 12.70mm 1/2"
SERIE 34			
CORONA: 0.176" (4.47mm)			
CALIBRE: 23 1/2			

720	716
13/6-C 6mm .236"	13/10-C 10mm .393"
SERIE 13	
CORONA: 0.417" (10.59mm)	
CALIBRE: 23 1/2	

871	872	873	874	875	876
71/5-C 5mm	71/6-C 6mm 1/4"	71/8-C 8mm 5/8"	71/10-C 10mm 3/8"	71/12-C 12mm 1/2"	71/14-C 14mm
SERIE 71					
CORONA: 0.345" (8.76mm)					
CALIBRE: 23 1/2					

744
3112-C 9.53mm 3/8"
SERIE 31
CORONA: 0.363" (9.22mm)
CALIBRE: 23 1/2

747	748	749
3308-C 6.35mm 1/4"	3312-C 9.53mm 3/8"	3318-C 14.29mm 9/16"
SERIE 33		
CORONA: 0.303" (7.70mm)		
CALIBRE: 23 1/2		

74	75	76	77	77
HC-14-C 6.35mm 1/4"	HC-38-C 9.53mm 3/8"	HC-916-C 14.28mm 9/16"	HC-1316-C 20.64mm 13/16"	HC-1516-C 23.81mm 15/16"
SERIE HC				
CORONA: 0.510" (12.94mm)				
CALIBRES: HC-14 y 38:23 1/2; HC-916,1316 1516:22 1/2				

501
1 X 6.35mm 1/4"
SERIE X
CORONA: 0.560" (14.22mm)
CALIBRE: 22 1/2

772	773
73/6-C 6.00mm .236"	73/10-C 10.00mm .394"
SERIE 73	
CORONA: 0.560" (14.22mm)	
CALIBRE: 19 3/4	

231	232	233	235
546-C 4.76mm 3/16"	548-C 6.35mm 1/4"	5412-C 9.53mm 3/8"	5418-C 14.29mm 9/16"
SERIE 54			
CORONA: 0.174" (4.43mm)			
CALIBRE: 19 3/4			

GRAPAS DE ALAMBRE DELGADO

222	223	229	225	236	227
506-C 4.76mm 3/16"	508-C 6.35mm 1/4"	5010-C 7.94mm 5/16"	5012-C 9.53mm 3/8"	5016-C 12.70mm 1/2"	5018-C 14.29mm 9/16"
SERIE 50					
CORONA: 0.489" (12.43mm)					
CALIBRE: 19 3/4					

238	239	242
6612-C 9.53mm 3/8"	6618-C 14.29mm 9/16"	6620-C 15.88mm 5/8"
SERIE 60		
CORONA: 0.489" (12.43mm)		
CALIBRE: 19 3/4		

GRAPAS DE ALAMBRE MEDIANO

778	
716-C 11.11mm 7/16"	
SERIE 716	
CORONA: 0.245" (6.22mm)	
CALIBRE: 19 1/2	

241	243
6424-C 19.05mm 3/4"	6432-C 25.40mm 1"
SERIE 64	
CORONA: 0.171" (4.34mm)	
CALIBRE: 19 1/2	










247	
6524-C 19.05mm 3/4"	
SERIE 65	
CORONA: 0.486" (12.34mm)	
CALIBRE: 19 1/2	

625	
S-910-J 9.53mm 3/8"	
SERIE 910	
CORONA: 0.446" (11.3mm)	
CALIBRE: 19 3/4	




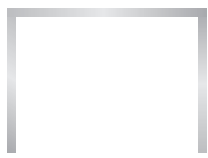
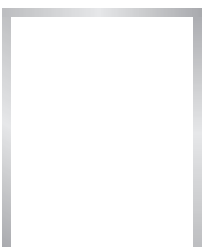
997	
9212-C 9.53mm 3/8"	
SERIE 92	
CORONA: 0.330" (8.4mm)	
CALIBRE: 18 1/2	







442	
FT-8-R 3/8"	
SERIE FT	
CORONA: 0.377" (9.58mm)	
CALIBRE: 18 1/2	

GRAPAS DE ALAMBRE MEDIANO

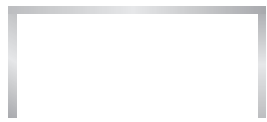
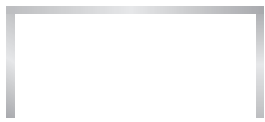
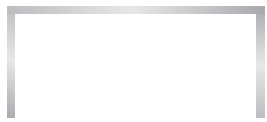
707	708	975	967	968	298	315	322	966
1812-C 9.53mm 3/8"	1816-C 12.70mm 1/2"	1820-C 15.88mm 5/8"	1824-C 19.05mm 3/4"	1828-C 22.23mm 7/8"	1832-C 25.40mm 1"	1836-C 28.58mm 1 1/8"	1840-C 31.75mm 1 1/4"	1848-C 38.10mm 1 1/2"
								
SERIE 18								
CORONA: 0.299" (5.81mm)								
CALIBRE: 18 1/2								



GRAPAS DE ALAMBRE GRUESO



244	246	962	321	325
9512-C 9.53mm 3/8"	9518-C 14.29mm 9/16"	1721-C 16.67mm 21/32"	1724-C 19.05mm 3/4"	1740-C 31.75mm 1 1/4"
				
SERIE 95		SERIE 17		
CORONA: 0.470" (11.94mm)		CORONA: 1.034" (26.25mm)		
CALIBRE: 17 1/2		CALIBRE: 16 1/2		


809	811	793	794	813	251
7624-C 19.05mm 3/4"	7632-C 25.40mm 1"	7640-C 31.75mm 1 1/4"	7648-C 38.10mm 1 1/2"	7656-C 44.45mm 1 3/4"	7664-C 50.80mm 2"
					
SERIE 76					
CORONA: 0.422" (10.75mm)					
CALIBRE: 16 1/2					



GRAPAS DE ALAMBRE GRUESO

430	437	431
58-C 14.80mm 5/8"	58-C CC 14.80mm 5/8"	58-C TC 14.80mm 5/8"
		
SERIE 58		
CORONA: 1.396" (34.77mm)		
CALIBRE: 15 1/2		





449	859
58-C 14.80mm 5/8"	58-C PF 14.80mm 5/8"
	
SERIE 58	
CORONA: 1.396" (34.77mm)	
CALIBRE: 15 1/2	

432	852
34-C 17.78mm 3/4"	34-C PF 17.78mm 3/4"
	
SERIE 58	
CORONA: 1.396" (34.77mm)	
CALIBRE: 15 1/2	



600
15-D 20mm 25/?"

ROTOR
CORONA: 0.953" (24.21mm)
CALIBRE: 15

439	453
HR-22-D 9.53mm 3/8"	HR-30-D 13.50mm 17/50"
	
SERIE HR-22	SERIE HR-30
CORONA: 0.880" (22.35mm)	CORONA: 1.195" (30.35mm)
CALIBRE: 14	CALIBRE: 14



CLAVOS ROSCADO


284	285	286	287
6DR 50.80mm	8DR 63.50mm 2 4/9"	10DR 76.20mm 3"	16DR 82.55mm 3 1/2"
			
SERIE DR			
CORONA: 6 y 8 17/64" (6.75mm); 10 y 16 9/32" (7.0mm)			
CALIBRE: (6) 12; (8) 11 1/2; (10) 11; (16) 10			

GRAPA CORRUGADA








1313	1314
CF-13 12.70mm 1/2"	CF-10 9.53mm 3/8"
	
SERIE CF	
CORONA: 1" (25.4mm)	
CALIBRE: 25	









ALAMBRE PARA COSEDORA

572	573
NO.20 COBRIZADO 4	NO.20 GALVANIZADO 6
	
LAMINADO	
PESO APROX: 5 KG	
CALIBRE: 20	





583
NO.25 GALVANIZADO 8

REDONDO
PESO APROX: 2.0 KG
CALIBRE: 25

CLAVILLOS FINOS CON CABEZA RECTANGULAR






682	1200	1201	1202	1203	1204	1221
M-15 15mm 5/8"	M-20 20mm 3/4"	M-25 25mm 1"	M-30 30mm 1 1/4"	M-37 37mm 1 1/2"	M-40 40mm 1 3/4"	M-50 50mm 2"
						
SERIE M						
CABEZA: 5/64 (2.0mm)						
CALIBRE: 18 1/2						

1205	1206	1207	1208	1209	1210	1211	1212
724 19.05mm 3/4"	732 25.04mm 1"	740 31.75mm 1 1/4"	748 38.10mm 1 1/2"	756 44.45mm 1 3/4"	754 50.80mm 2"	772 57.15mm 2 1/4"	780 63.50mm 2 1/2"
							
SERIE 700							
CABEZA: 3/32 (2.5mm)							
CALIBRE: 16 1/2							

CLAVILLOS CABEZA DE MEDIA LUNA

1213	1214	1215	1216
AFN3848 38.10mm 1 1/2"	AFN4456 44.45mm 1 3/4"	AFN5064 50.80mm 2"	AFN6480 63.50mm 2 1/2"
			
SERIE AFN			
CABEZA: 1/8 (3.1mm)			
CALIBRE: 15 1/4			

CLAVOS EN ROLLO ROSCADO

1320	1322	1321	1317	1316
CW-5F 1 3/4"	CW-6F 2"	CW-7F 2 1/4"	CW-8F 2 1/2"	CW-10F 3"
				
SERIE CW				
CABEZA: 1/4 (6.35mm)				
CALIBRE: W5, 6, 7, y 8, CAL, 12 1/2 (.99"); CW10 CAL. 11 (0.120")				